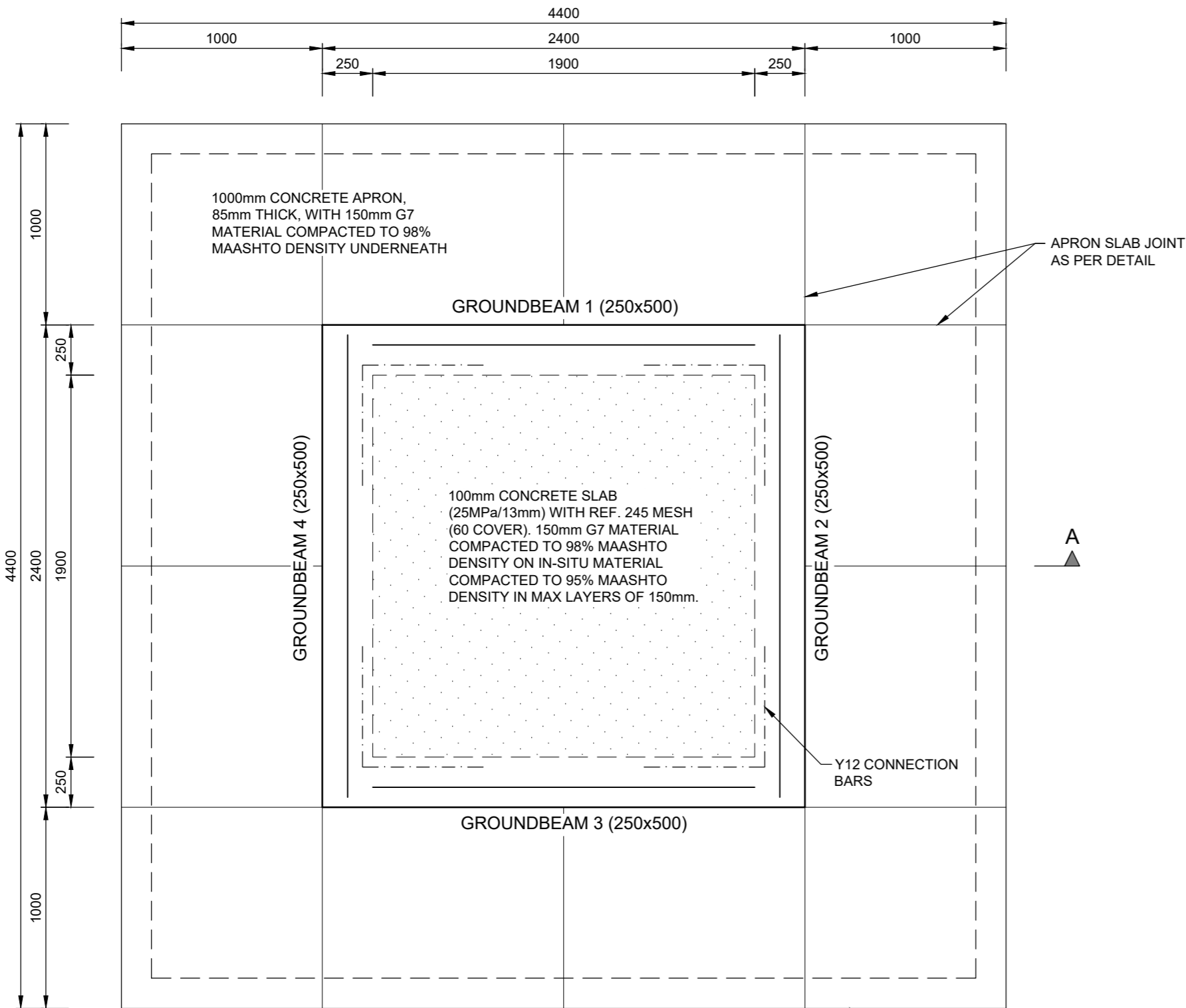
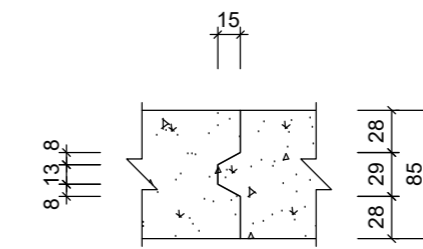


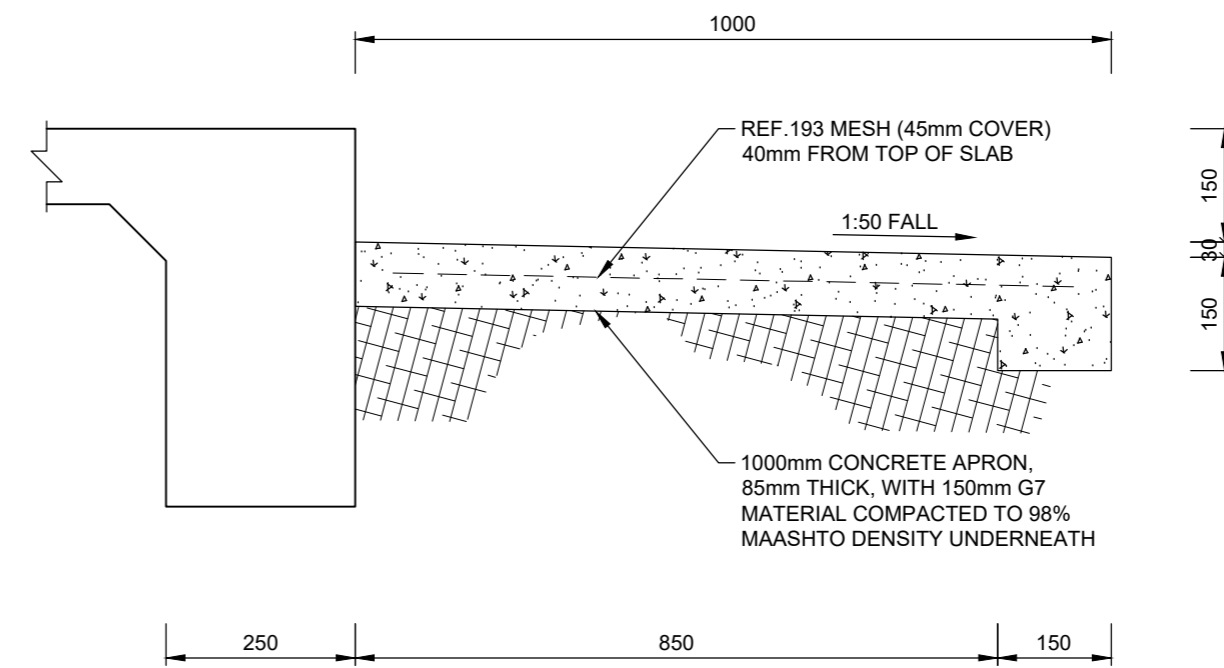
SECTION A-A : RAFT FOUNDATION
SCALE 1:25



RAFT FOUNDATION LAYOUT
SCALE 1:25



APRON : JOINT DETAIL
SCALE 1:5

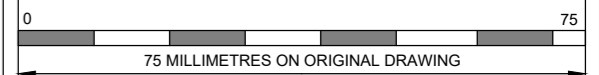


CONCRETE APRON : SECTION
SCALE 1:10

NOTES:

1. CONCRETE STRENGTH :
SLABS AND BEAMS = 25MPa/13mm AT 28 DAYS.
2. COVER TO REINFORCING STEEL
RAFT : 50mm
3. PROPER CONCRETE SPACERS TO BE USED.
4. NO CONCRETE TO BE CAST WITHOUT THE APPROVAL OF THE ENGINEER.
5. REINFORCING LAP LENGTH = 50 x Ø

FOR INFORMATION



DRAWING REVISIONS:

- (A) BEFORE CONTRACT COMMENCES
- (B) AFTER CONTRACT HAS COMMENCED

No.	DATE	AMENDMENTS

COPYRIGHT IS VESTED IN V3 CONSULTING ENGINEERS
IN TERMS OF THE COPYRIGHT ACT (ACT 98 OF 1978)

CLIENT
ACSA

V3 CONSULTING ENGINEERS
T : +27 (0) 44 691 2305
email : mosselbaai@v3consulting.co.za
4 Mascador Street, Voor Bay, Mossel Bay, 6506
PO Box 730, Mossel Bay, 6500, South Africa

PROJECT
ACSA BOLLARDS - GEORGE AIRPORT

DRAWING DESCRIPTION
GUARD HOUSE FOUNDATION DETAIL

DRAWING NO.
11393000-503

DESIGNED: GK	CHECKED: RB
DRAWN: KS	SCALE: AS SHOWN A2
APPROVED:	DATE: 2024-12-11
FILE PATH: Sharepoint \Mossel Bay \ 11393000 \ ACSA BOLLARDS \ 05 Draw	